

SATAKE

COLOUR GRADER NCG1A



The Satake NCG1A Colour Grader is a high resolution visible-band spectrophotometer. This grader can provide the colour value for flour in terms of the Colour Grade Value (CGV) as well as in terms of standard colour value systems expressed as Lab, L*a*b* and XYZ values.

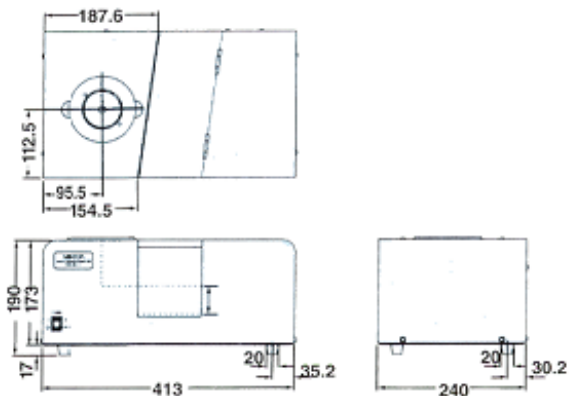
Ash as a function of colour can be displayed. As a general purpose colour meter the NCG1A can be used on other cereal products. The data processing and control of the NCG1A software is operated by a PC¹ running under Windows 95/98². The NCG1A is easy to operate and is very user friendly.

1-PC Option 2-Trademark of Microsoft Corp.

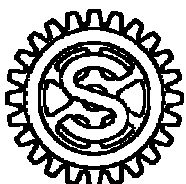
Dimensions (Units: mm)



PC Controller Option



All Satake products are the subject of continuous development and, as a result, their specification may change and differ in detail from that outlined in this leaflet.



SATAKE

Building on a Tradition of Excellence

Hiroshima, Japan
Houston, U.S.A.
Stockport, England

Tel: +81 824 20 8560
Tel: +1 713 772 8400
Tel: +44 161 406 3800

Fax: +81 824 20 0865
Fax: +1 713 772 8484
Fax: +44 161 406 3801

www.satake-japan.co.jp
www.satake-usa.com
www.satake.co.uk

JDG02056@nifty.ne.jp
cereal@satake-usa.com
sales@satake.co.uk

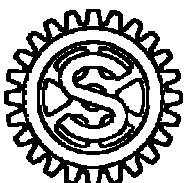
SATAKE

COLOUR GRADER NCG1A

Technical Specification

Measuring Geometry	Reflectance: d/8(diffuse illumination/8° viewing angle); meets ISO and DIN standards for d/8 geometry; also meets CIE and ASTM standards for d/0 geometry. Transmittance: d/0 (diffuse illumination/0° viewing angle)	Types of Materials Measurable by Transmittance	Flour, Flourpaste, Pasta (spaghetti)
Detector	Dual 18-element silicon photodiode array with wedge-shape continuous interference filter	Repeatability	When white calibration plate is measure 30 times at 10 sec. intervals after white calibration has been performed: Spectral reflectance: Standard deviation within 0.20% Chromaticity: Standard deviation within ΔE^*ab 0.05
Wavelength Range	400 to 700nm	Inter-Instrument Agreement	ΔE^*ab 0.15(typical)based on average of 12 BCRA Series II tiles compare to value measured with master body
Wavelength Pitch	20nm	Temperature Drift	Spectral reflectance: Within +/- 0.30%/°C
Half Bandwidth	Approx. 20nm average	Interface	RS-232C standard
Photometric Range	0 to 175%; Resolution:0.01%	Power	AC 100X/120V/230V,50/60Hz (using included AC adapter)
Light Source	Pulsed xenon arc lamp	Operating Temperature /Humidity Range	0 to 40°C (32 to 96°F); less than 85% relative humidity (at 35°C/95°F)with no condensation
Measurement Time	Approx. 2.5 sec (to start of data output)	Storage Temperature /Humidity Range	-20 to 45° C (-4 to 113°F);less than 85% relative humidity (at 35°C/95°F) with no condensation
Minimum Interval Between Measurements	3 sec	Dimensions (WxHxD)	413 x 190 x 240mm (16 15/16" x 7 1/2" x 9 7/16")
Illumination/ Measurement Areas	Reflectance: Changeable;Ø30mm measurement or Ø11mm illumination/Ø8mm measurement Transmittance: Approx. Ø22mm	Weight (Net)	10kg (22lbs)

All Satake products are the subject of continuous development and, as a result, their specification may change and differ in detail from that outlined in this leaflet.



SATAKE

Building on a Tradition of Excellence

Hiroshima, Japan Tel: +81 824 20 8560 Fax: +81 824 20 0865 www.satake-japan.co.jp JDG02056@nifty.ne.jp
Houston, U.S.A. Tel: + 1 713 772 8400 Fax: + 1 713 772 8484 www.satake-usa.com cereal@satake-usa.com
Stockport, England Tel: +44 161 406 3800 Fax: +44 161 406 3801 www.satake.co.uk sales@satake.co.uk