

High Performance Rice Milling Machine

VERTICAL RICE WHITENER

VBF5A/7B/10A



VBF10A

The Satake VBF series of vertical friction rice whitening machines incorporates the most advanced technologies available and has proved to be superior to competitive machines in rice mills throughout the world. The versatility of the VBF for milling rice of all degrees of whiteness with minimum brokens makes it the ideal machine for modern rice mills. It's processing capability ranges from all kinds of rice (long, medium and short) to other cereal grains such as maize.

FEATURES:

1. Higher Milling Yield and Fewer Brokens:

The "state of the art" milling chamber produces evenly milled rice using very low pressure, thus producing higher yields with fewer brokens while still effectively removing bran streaks.

2. Vertical Design :

The vertical milling chamber allows grains to be milled evenly. The vertical design is also more power efficient than a horizontal design, while minimizing the required floor space and installation cost.

3. Easy Maintenance:

The screens and two-piece milling roll are easily removed from the side of the machine.

4. Water Mist Operation (Optional):

The use of a water mist in the milling chamber softens the bran layers for more efficient removal. This unique milling action produces effective bran removal with minimum increase in rice temperature.

5. Allowance for Plant Layout:

The model is available in four types with the inlet and outlet on the different sides. This allows a flexible plant layout minimizing conveying requirements.

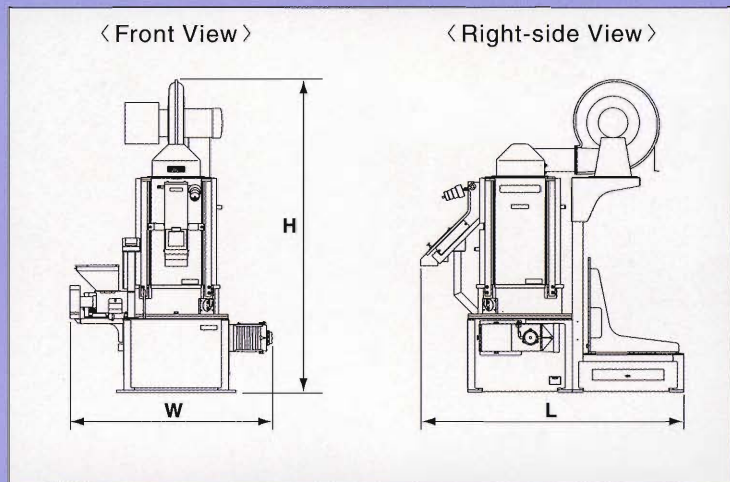
VERTICAL RICE WHITENER

Specifications

Model		VBF5A	VBF7B	VBF10A
Capacity(t/h)*1	Long Grain	3~4	4~5	5~7
	Short Grain	3.6~4.4	4.8~6.0	7.2~8.8
Motor (kW)	Main Motor	22~37	37~45	45~75
	Fan Motor	1.5	1.5	2.2
	Screw Motor	1.5	1.5	1.5
Air Volume(m ³ /min.)		35	40	45
Static Pressure(Pa)		-980~-1,490	-980~-1,490	-980~-1,490

*1 Input capacity on brown rice. Dependent on materials and separating conditions.

Dimensions



Layout Available (From the front view)

		Outlet Position		
		Left	Front	Right
Inlet Position	Right	○	○	—
	Left	—	○	○

* Bran suction port is fixed at the right-hand side of the machine.

Model	W (mm)	L (mm)	H (mm)	Weight (kg) *1
VBF5A	1,394	1,640	1,901	900
VBF7B	1,394	1,640	2,010	1,000
VBF10A	1,409	1,839	2,177	1,300

*1 Net weight without main motor

All Satake products are the subject of continuous development and, as a result, their specification may change and differ in detail from those shown.

SATAKE CORPORATION is registered with ISO9001 standards for quality management systems and ISO14001 standards for environmental management systems.



ISO9001



ISO14001

SATAKE CORPORATION

Head Office

2-30, Saijo-Nishihonmachi, Higashi-Hiroshima, 739-8602, Japan
Tel : +81-82-420-8560/8539
Fax : +81-82-420-0865
e-mail: kg-hiroshima@satake-japan.co.jp
URL : www.satake-japan.co.jp

UK Division

P.O.Box 53, Bredbury, Stockport, Cheshire, SK6 2FG, England
Tel : +44-161-406-3800
Fax : +44-161-406-3801
e-mail : sales@satake.co.uk
URL : www.satake.co.uk

New Delhi Office

11th Floor, Dr. Gopal Das Bhaven, 28 Barakhamba Road, New Delhi 110001 India
Tel : +91-11-2373-8646
Fax : +91-11-2373-8647

Beijing Office

Room 203B, Chang Xin Building, No.39 An Ding Road,Chao Yang District,Beijing, P.R. China
Tel : +86-10-6443-3822
Fax : +86-10-6443-4188

Bangkok Office

133 Moo 5, Bangkadi Industrial Park Tivanon, Road, Patumthani 12000 Thailand
Tel : +66-2-501-1223
Fax : +66-2-501-1225
e-mail : sataketh@asia.com

Yangon Office

No.4 Kanthaya Street, South Okkalapa Township, Yangon Myanmar
Tel : +95-1-578303
Fax : +95-1-570610

SATAKE USA INC.

10905 Cash Road, Stafford, Texas 77477 U.S.A.
Tel : +1-281-276-3600
Fax : +1-281-494-1375
e-mail : rice@satake-usa.com
URL : www.satake-usa.com

SATAKE AUSTRALIA PTY. LTD.

23-25 Marigold Street, Revesby, NSW 2212 Australia
Tel : +61-2-9774-1155
Fax : +61-2-9774-1248
e-mail : sataus@ozemail.com.au
URL : www.satake.com.au

SATAKE (THAILAND) CO., LTD.

133 Moo 5, Bangkadi Industrial Park Tivanon Road, Patumthani 12000 Thailand
Tel : +66-2-501-1180
Fax : +66-2-501-1188
e-mail : sataketh@asia.com

SATAKE MANUFACTURING (SUZHOU) CO., LTD.

Jin Feng Road, Suzhou New District, Suzhou City, Jiangsu Province P.R.China
Tel : +86-512-6536-8225
Fax : +86-512-6536-3004
URL : www.satake-suzhou.com.cn

SATAKE (CANADA) INC.

2550 Argenta Road, Suite 119 Mississauga, Ontario L5N 5R1 Canada
Tel : +1-905-858-0791
Fax : +1-905-858-0957

SATAKE AMERICA LATINA LTDA.

Conjunto Empresarial Joinville Rua Xavantes, 155-Bairro Atiradores 89203-210-Joinville-Santa Catarina, Brazil
Tel : +55-47-438-0413
Fax : +55-47-438-7932
e-mail : ricardo@satake.com.br